

EXTERIOR USL-GR3C 13-Inch Round Garage Fixture



OVERVIEW

This round garage fixture can be surface mounted or pole mounted. It has an optional microwave sensor with integrated daylight sensing. The sensor has predetermined programs for dimming options, or it can be customized. This fixture can be mounted flush, with a hook, or with a standard 1/2" pole.

FEATURES

- IP66
- 1-10V dimming optional
- Microwave sensor optional
- Multiple mounting methods
- Integrated junction box
- DLC pending



ORDERING INFORMATION

EXAMPLE PN: USL-GR3C-100W-LV-40K-165D-W-10V

USL-GR3C	POWER	VOLTAGE	CCT	BEAM ANGLE*	FINISH	OPTIONS
	40W 40 WATTS	LV 100-277V AC	30K 3000K	165D 165°	W WHITE	0 NONE
	60W 60 WATTS		40K 4000K	180D 180°	B BLACK	10V 1-10V DIMMING
	80W 80 WATTS		50K 5000K			MS MICROWAVE SENSOR WITH DIMMING
	100W 100 WATTS		57K 5700K			

*Note: 165° is standard.

ACCESSORIES

USL-GR3C-ACC	ACCESSORY
	HOK Hook for mounting
	RMT Remote for sensor programming

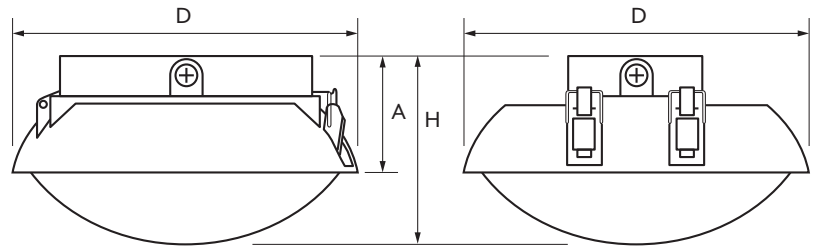
SPECIFICATIONS

MODEL	OPERATION VOLTAGE	OPERATING TEMPERATURE	RATED LIFESPAN	CCT	CRI	EFFICACY
USL-GR3C	100-277V AC	-22°F – 122°F -30°C – 50°C	50,000 HOURS	3000K, 4000K 5000K, 5700K	70+	117-124 lm/W

MODEL	POWER (W)	REPLACES MH/HPS	LUMENS (lm) ±10%				EFFICACY (lm/W)
			3000K	4000K	5000K	5700K	
USL-GR3C-40W	40	100W	4,700	4,800	4,900	4,950	118-124
USL-GR3C-60W	60	150W	7,000	7,200	7,300	7,350	117-123
USL-GR3C-80W	80	200W	9,400	9,550	9,700	9,800	118-123
USL-GR3C-100W	100	250W	11,700	11,950	12,000	12,200	117-122

DIMENSIONS

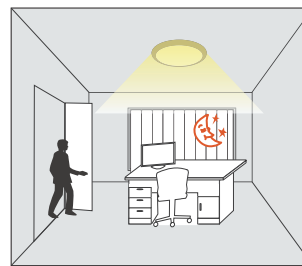
MODEL	D DIAMETER	H HEIGHT	A PARTIAL HEIGHT	WEIGHT
ALL	12.97 in 329.6 mm	17.17 in 182.1 mm	4.48 in 113.7 mm	6 lb 2.7 kg



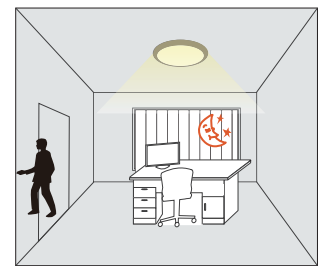
SENSOR DIMMING FUNCTIONALITY

Dimming can be programmed such that the light is on full brightness when motion is detected and then dims to a stand by level when no motion is detected.

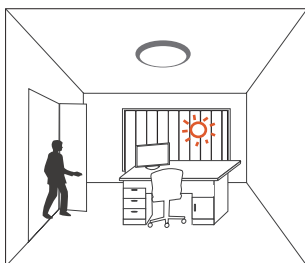
Or it can only turn on when ambient light is low and have full brightness, stand-by brightness, and then turn off after a delay.



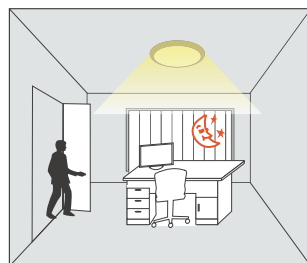
When motion is detected, the light turns on to the full level



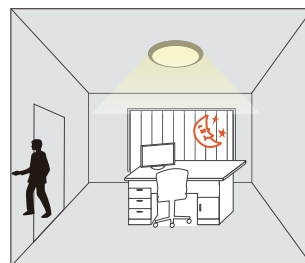
After no movement is detected, the light dims to stand by levels.



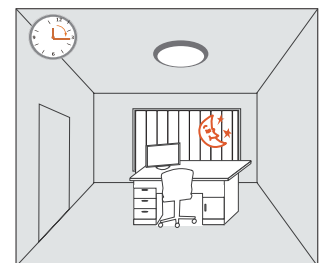
Light is off when ambient lux is above threshold, even with motion is detected.



When motion is detected and ambient light is low, the light turns on.



After no movement is detected, the light dims to stand by levels.



After a longer stand by time, the light shuts off.

USL-GR3C INSTALLATION

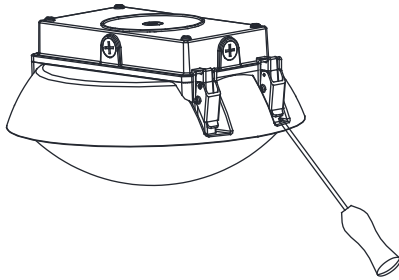
WALL/CEILING MOUNT

! WARNING

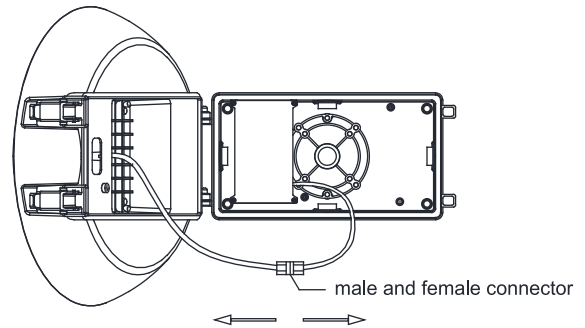
PLEASE READ ALL INSTRUCTIONS BEFORE ATTEMPTING INSTALLATION

- To prevent personal injury or product damage only licensed electricians should install.
- To avoid electric shock or component damage disconnect power before attempting installation or servicing.
- This product must be installed in accordance with the national electric code (NEC) and all applicable federal, state and local electric codes and safety standards.
- Disconnect product and allow cooling prior to servicing.
- Any alteration or modification of this product is expressly forbidden as it may cause serious personal injury, death, property damage and/or product malfunction.
- To prevent product malfunction and/or electrical shock this product must be properly grounded.

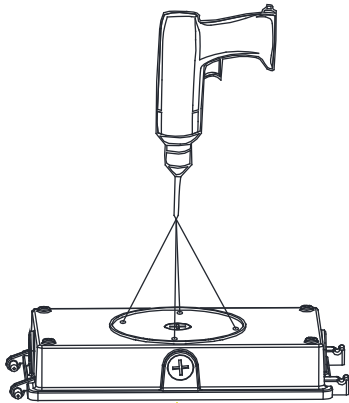
1. Pry open the buckle using a screwdriver or other flat tool.



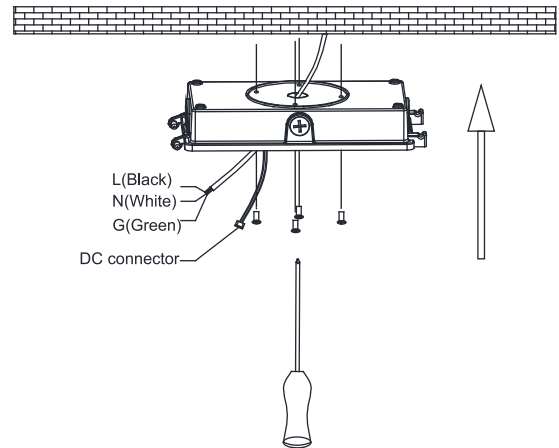
2. Disconnect the internal cable and then separate the light emitter from the back plate.



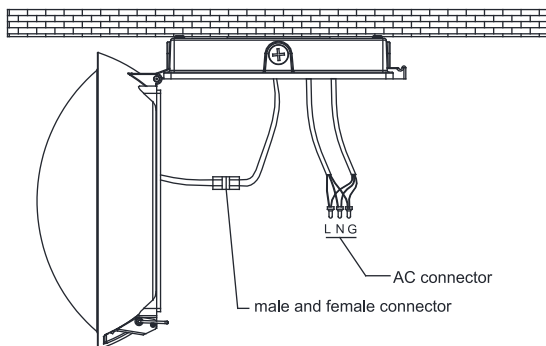
3. Create four holes using knockouts A, B, C, and D.



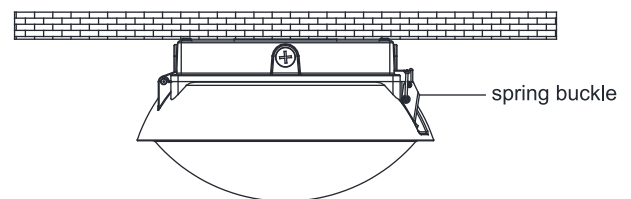
4. Use screws to secure back plate into place.



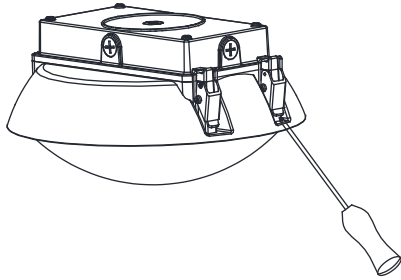
5. Lock the light emitter to back plate. Connect to main power. Reconnect internal cable.



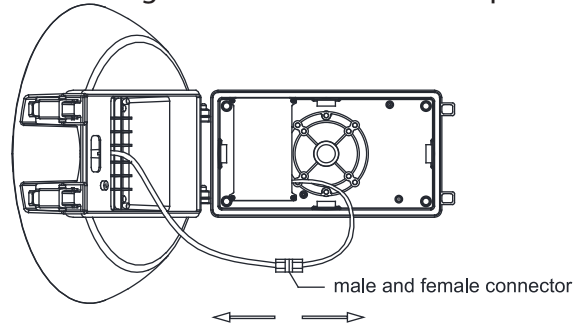
6. Close the fixture and secure the buckle.



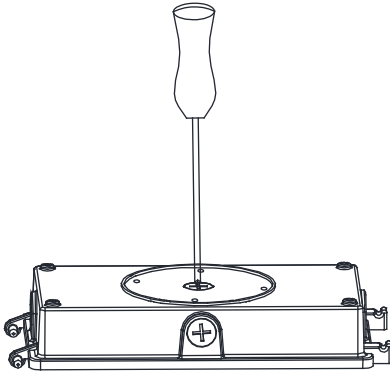
1. Pry open the buckle using a screwdriver or other flat tool.



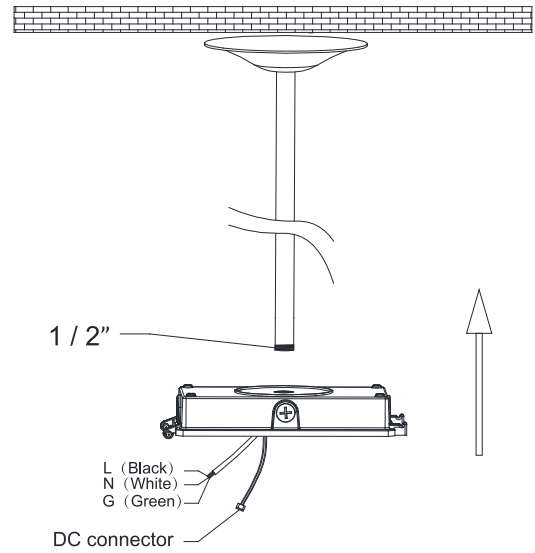
2. Disconnect the internal cable and then separate the light emitter from the back plate.



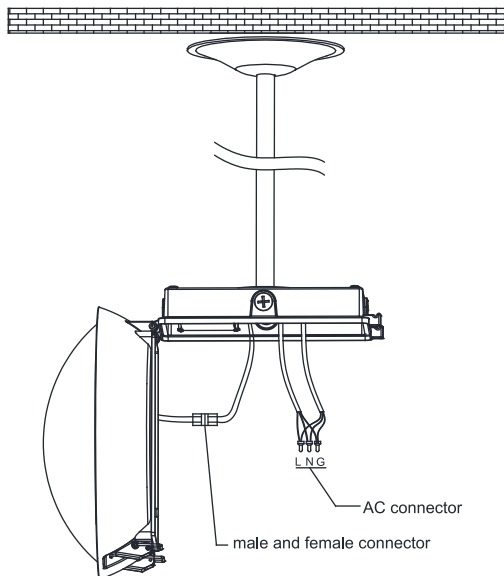
3. Remove the 1/2" screw from the back plate.



4. Screw 1/2" conduit pole onto the back plate.



5. Lock the light emitter to back plate. Connect to main power. Reconnect internal cable.



6. Close the fixture and secure the buckle.

