

Adapters for Tenon and Slip Fitters

PROJECT	TYPE	DATE



Interior



Exterior



Wet Location

OVERVIEW

These adapters are for use with 2 3/8" tenon. They can be used to mount fixtures onto 3", 4" and 5" poles. Works with round and square poles.

COMPATIBLE PRODUCTS

- USL-SBIB Slim Shoebox
- USL-AL2IC 1-Arm Circular Post Light (certain models)
- USL-ALIC 3-Arm Circular Post Light (certain models)



ORDERING INFORMATION

EXAMPLE PN: USL-MNTIB-ACC-R-4-D

USL-MNTIB-ACC	-	ACCESSORY	-	FINISH
R-3		ROUND TENON ADAPTER, 3 INCH		D DARK BRONZE
R-4		ROUND TENON ADAPTER, 4 INCH		
R-5		ROUND TENON ADAPTER, 5 INCH		
S-4		SQUARE TENON ADAPTER, 4 INCH		
S-5		SQUARE TENON ADAPTER, 5 INCH		
ADP-2.5-D		SLIP FITTER ADAPTER		
SFP-D		SLIP FITTER PIVOTING MOUNT		

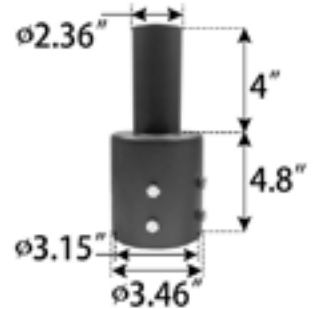
Adapters for Tenon and Slip Fitters

USL-MNTIB-ACC-R-3-D

Round tenon adapter, 3 inch, dark bronze

For use with Round, non-tapered steel and aluminum poles. Furnished with three 3/8" hex head stainless-steel bolts. Vertical tenon measures 2-3/8" O.D., and is made of steel tubing. Fixtures mounted to this bracket can be adjusted both vertically and horizontally.

Weight: 4 lbs

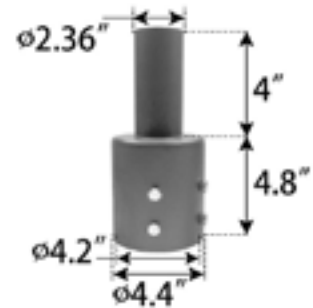


USL-MNTIB-ACC-R-4-D

Round tenon adapter, 4 inch, dark bronze

For use with Round, non-tapered steel and aluminum poles. Furnished with three 3/8" hex head stainless-steel bolts. Vertical tenon measures 2-3/8" O.D., and is made of steel tubing. Fixtures mounted to this bracket can be adjusted both vertically and horizontally.

Weight: 5 lbs



USL-MNTIB-ACC-R-5-D

Round tenon adapter, 5 inch, dark bronze

For use with Round, non-tapered steel and aluminum poles. Furnished with three 3/8" hex head stainless-steel bolts. Vertical tenon measures 2-3/8" O.D., and is made of steel tubing. Fixtures mounted to this bracket can be adjusted both vertically and horizontally.

Weight: 6 lbs

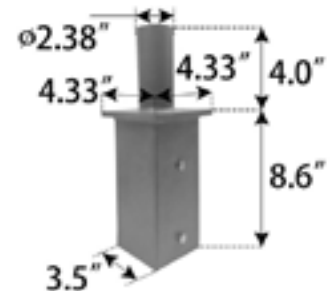


USL-MNTIB-ACC-S-4-D

Square tenon adapter, 4 inch, dark bronze

For use with square, non-tapered steel and aluminum poles. Furnished with four 5/16" hex head stainless-steel bolts. Vertical tenon measures 2-3/8" O.D., and is made of steel tubing. Fixtures mounted to this bracket can be adjusted both vertically and horizontally.

Weight: 7 lbs

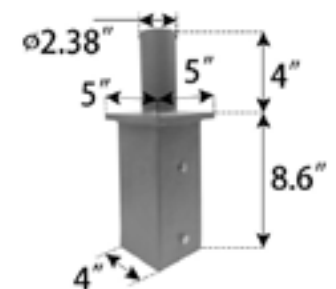


USL-MNTIB-ACC-S-5-D

Square tenon adapter, 5 inch, dark bronze

For use with square, non-tapered steel and aluminum poles. Furnished with four 5/16" hex head stainless-steel bolts. Vertical tenon measures 2-3/8" O.D., and is made of steel tubing. Fixtures mounted to this bracket can be adjusted both vertically and horizontally.

Weight: 9 lbs



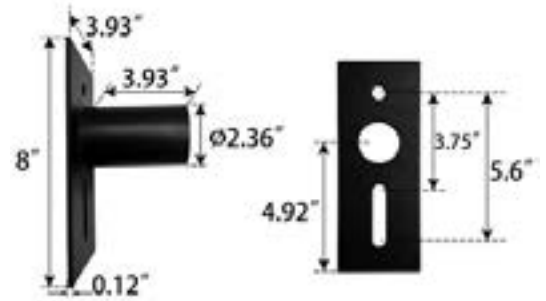
Adapters for Tenon and Slip Fitters

USL-MNTIB-ACC-ADP-2.5-D

Slip fitter adapter

This bracket is designed to mount light fixtures that are equipped with a adjustable slip-fitter onto a 2-3/8" OD horizontal tenon.

Weight: 4 lbs



USL-MNTIB-ACC-SFP-D

Slip fitter pivoting mount

Adjustable angle slip fitter. For use with 2-3/8" OD tenon.

Weight: 3 lbs

