

INTERIOR USL-HBLID Linear High Bay



Interior Dimmable Warranty Down Light

OVERVIEW

This linear high bay features a modular design. 2-6 modules can be assembled into a single fixture to provide a wide range of luminous intensity.

FEATURES

- Wide range of luminous intensity
- Suspended or pole mounting available
- Multiple lens options including 40°x90° and 70°x90° distribution



ORDERING INFORMATION

EXAMPLE PN: USL-HBLID-2-100W-LV-40K-F-OS

USL-HBLID	LENGTH*	POWER*	VOLTAGE	CCT	LENS	OPTIONS
2	2 FT	60W 60 WATTS	LV 120-277V HV 277-480V	30K 3000K 35K 3500K 40K 4000K 50K 5000K	C CLEAR F FROSTED M MILKY 40 40°x90° 70 70°x90°	O NONE
		100W 100 WATTS				10V 0-10V DIMMING
		120W 120 WATTS				OS OCCUPANCY SENSOR
		150W 150 WATTS				
		180W 180 WATTS				
4	4 FT	100W 100 WATTS				
		150W 150 WATTS				
		200W 200 WATTS				
		250W 250 WATTS				
		300W 300 WATTS				

SPECIFICATIONS

MODEL	OPERATION VOLTAGE	OPERATING TEMPERATURE*	RATED LIFESPAN	CCT	CRI	EFFICACY
USL-HBLID	120-277V AC	-4°F – 113°F -20°C – 45°C	60,000 HOURS	3000K, 3500K, 4000K, 5000K	80+	127-148 lm/W

*Note: Emergency model operates at a minimum temperature of 50°F (10°C)

INTERIOR USL-HBLID

Linear High Bay



MODEL	LENGTH	LENS	POWER (W)	LUMENS (lm) at:			EFFICACY (lm/W)
				3000K/3500K	4000K	5000K	
USL-HBLID-2-60W-C/F	2 feet	Clear/Frosted	60	8,040	8,160	8,400	134-140
USL-HBLID-2-60W-M	2 feet	Milky	60	7,680	7,800	8,050	128-134
USL-HBLID-2-60W-xXx	2 feet	40*90/70*90	60	7,780	7,900	8,130	130-136
USL-HBLID-2-100W-C/F	2 feet	Clear/Frosted	100	13,600	14,400	14,400	136-144
USL-HBLID-2-100W-M	2 feet	Milky	100	13,000	13,400	13,750	130-138
USL-HBLID-2-100W-xXx	2 feet	40*90/70*90	100	13,160	13,550	13,940	132-139
USL-HBLID-2-120W-C/F	2 feet	Clear/Frosted	120	16,080	16,320	16,800	134-140
USL-HBLID-2-120W-M	2 feet	Milky	120	15,360	15,600	16,100	128-134
USL-HBLID-2-120W-xXx	2 feet	40*90/70*90	120	15,560	15,800	16,260	130-136
USL-HBLID-2-150W-C/F	2 feet	Clear/Frosted	150	20,250	20,550	21,150	135-141
USL-HBLID-2-150W-M	2 feet	Milky	150	19,350	19,650	20,300	129-135
USL-HBLID-2-150W-xXx	2 feet	40*90/70*90	150	19,590	19,890	20,470	131-136
USL-HBLID-2-180W-C/F	2 feet	Clear/Frosted	180	23,940	24,480	25,020	133-139
USL-HBLID-2-180W-M	2 feet	Milky	180	22,860	23,400	23,960	127-133
USL-HBLID-2-180W-xXx	2 feet	40*90/70*90	180	23,170	23,690	24,210	129-135
USL-HBLID-4-100W-C/F	4 feet	Clear/Frosted	100	13,800	14,200	14,600	138-146
USL-HBLID-4-100W-M	4 feet	Milky	100	13,200	13,600	13,970	132-140
USL-HBLID-4-100W-xXx	4 feet	40*90/70*90	100	13,360	13,740	14,130	134-141
USL-HBLID-4-150W-C/F	4 feet	Clear/Frosted	150	20,100	20,550	20,850	134-139
USL-HBLID-4-150W-M	4 feet	Milky	150	19,200	19,650	19,970	128-133
USL-HBLID-4-150W-xXx	4 feet	40*90/70*90	150	19,450	19,890	20,180	130-135
USL-HBLID-4-200W-C/F	4 feet	Clear/Frosted	200	28,000	28,800	29,600	140-148
USL-HBLID-4-200W-M	4 feet	Milky	200	26,800	27,600	28,380	134-142
USL-HBLID-4-200W-xXx	4 feet	40*90/70*90	200	27,010	27,870	28,650	135-143
USL-HBLID-4-250W-C/F	4 feet	Clear/Frosted	250	34,000	35,000	36,000	136-144
USL-HBLID-4-250W-M	4 feet	Milky	250	32,500	33,500	34,380	130-138
USL-HBLID-4-250W-xXx	4 feet	40*90/70*90	250	32,900	33,870	34,840	132-139
USL-HBLID-4-300W-C/F	4 feet	Clear/Frosted	300	42,000	43,200	43,800	140-146
USL-HBLID-4-300W-M	4 feet	Milky	300	40,200	41,400	41,910	134-140
USL-HBLID-4-300W-xXx	4 feet	40*90/70*90	300	40,650	41,800	42,390	136-141

INTERIOR USL-HBLID

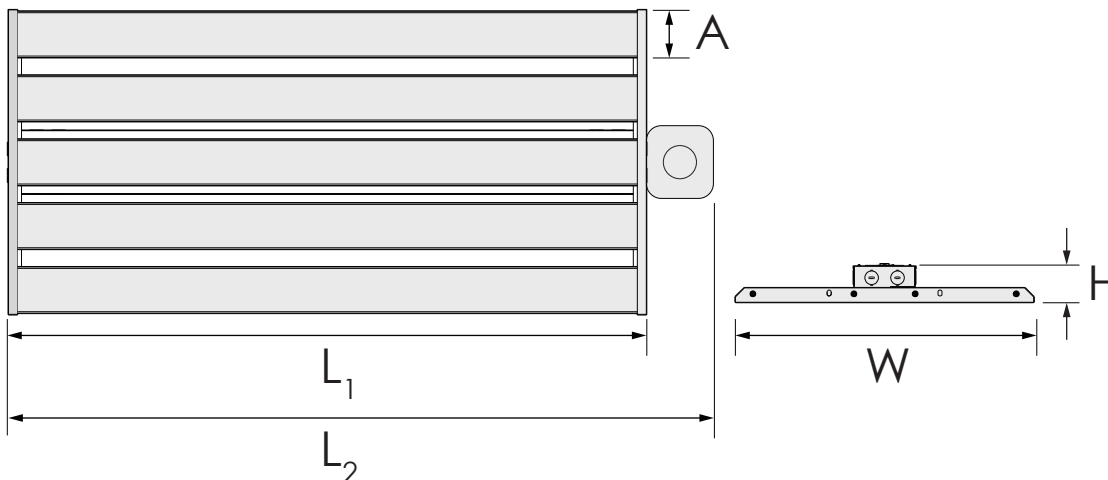
Linear High Bay



DIMENSIONS

MODEL	NUMBER MODULES	L ₁ LENGTH	L ₂ LENGTH W/SENSOR	W WIDTH	H HEIGHT	A MODULE WIDTH	WEIGHT*
USL-HBLID-2-60W	2	23.7 in 602 mm	26.7 in 680 mm	12.73 in 323 mm	2.36 in 60 mm	2.95 in 75 mm	6.6 lb 3 kg
USL-HBLID-2-100W	3						8.4 lb 3.8 kg
USL-HBLID-2-120W	4						9.0 lb 4.1 kg
USL-HBLID-2-150W	5			11.2 lb 5.1 kg			
USL-HBLID-2-180W	6			12.3 lb 5.6 kg			
USL-HBLID-4-100W	2			45.87 in 1165 mm			49.0 in 1245 mm
USL-HBLID-4-150W	3	13.4 lb 6.1 kg					
USL-HBLID-4-200W	4	15.7 lb 7.1 kg					
USL-HBLID-4-250W	5	17.9 lb 8.1 kg					
USL-HBLID-4-300W	6	20.1 lb 9.1 kg					

*Note: The suspension chain adds (0.3 kg), the pole bracket adds (0.7 kg), and the occupancy sensor adds (0.4 kg).



INTERIOR USL-HBLID Linear High Bay



ACCESSORIES

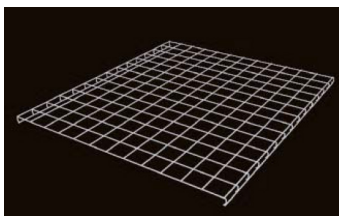
PART NUMBER	DESCRIPTION
USL-HBLID-ACC-CHN	Stainless steel chain for suspension (2-pack)
USL-HBLID-ACC-WIR	Wire sling for suspension (2-pack)
USL-HBLID-ACC-PLLV	Bracket for pole installation (low voltage)
USL-HBLID-ACC-PLHV	Bracket for pole installation (high voltage)
USL-HBLID-ACC-NT224	2-foot, 2-4 modules anti-collision net
USL-HBLID-ACC-NT256	2-foot, 5-6 modules anti-collision net
USL-HBLID-ACC-NT424	4-foot, 2-4 modules anti-collision net
USL-HBLID-ACC-NT456	4-foot, 5-6 modules anti-collision net



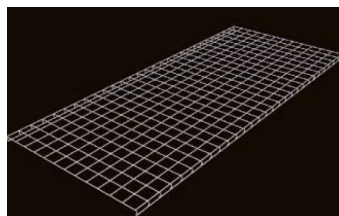
Suspension chain



Suspension Wire



Anti-collision net (2-foot)



Anti-collision net (4-foot)



Pole-mount Bracket

ANTI-COLLISION NET INSTALLATION

To install the anti-collision net, simply press the net directly onto the fixture. Snap the edges of the net over the edges of the fixture to secure.

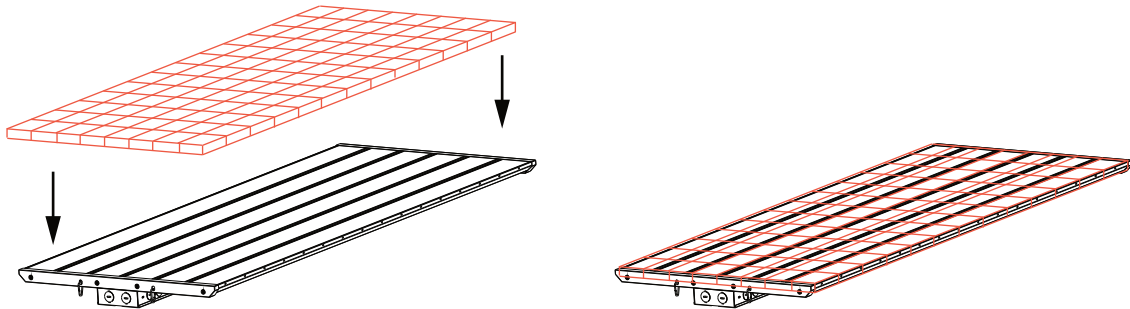


FIGURE 1. ATTACHING ANTI-COLLISION NET TO FIXTURE

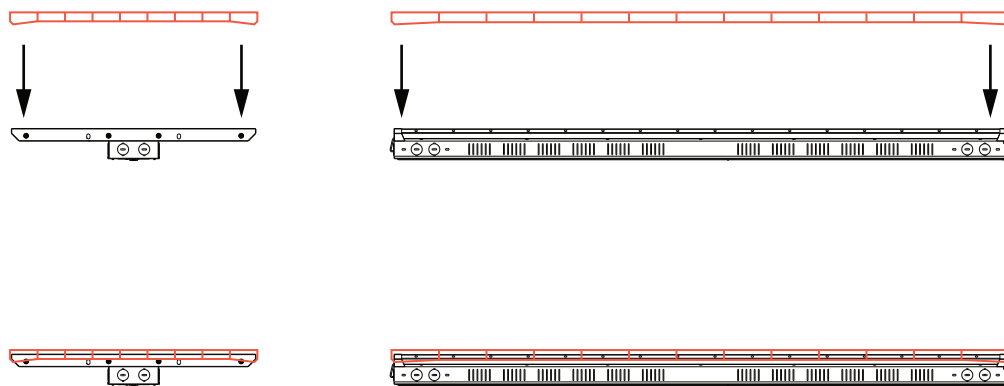


FIGURE 2: SIDE VIEW OF ATTACHING ANTI-COLLISION NET TO FIXTURE