

INTERIOR USL-HBS4G Selectable High Bay



PROJECT	TYPE	DATE
---------	------	------



OVERVIEW

This highbay features a dial to switch the beam angle between 60, 90 and 110 degrees. There is an option to mount the fixture upside down to create indirect uplight (not compatible with motion sensor).



FEATURES

- Selectable angle 60°/90°/110°
- Wattage adjustable 100/120/150/200W
- IP65, IK08
- Polycarbonate lens
- Tempered glass optional
- UGR<19 optional
- PF > 0.95
- THD < 15%
- Surge protection 4kV



MOUNT UPSIDE DOWN FOR
INDIRECT UPLIGHT



TURN DIAL TO ADJUST
BEAM ANGLE

ORDERING INFORMATION

EXAMPLE PN: USL-HBS4G-ADJW-40K-G-MS

USL-HBS4G	POWER	CCT	FINISH ^[1]	OPTIONS ^[2]
	100W 100 WATTS	30K 3000K	G GRAY	MS MOTION SENSOR WITH 1-10V DIMMING
	150W 150 WATTS	40K 4000K		EM EMERGENCY
	120W 120 WATTS	50K 5000K		DL DAYLIGHT SENSOR
	200W 200 WATTS	60K 6000K		
	ADJW 100/120/150/200W ADJUSTABLE POWER			

[1] Note: custom finishes available. MOQ 1000 units.

[2] Note: motion sensor is standard configuration

ACCESSORIES

on page 3

INTERIOR USL-HBS4G

Selectable High Bay



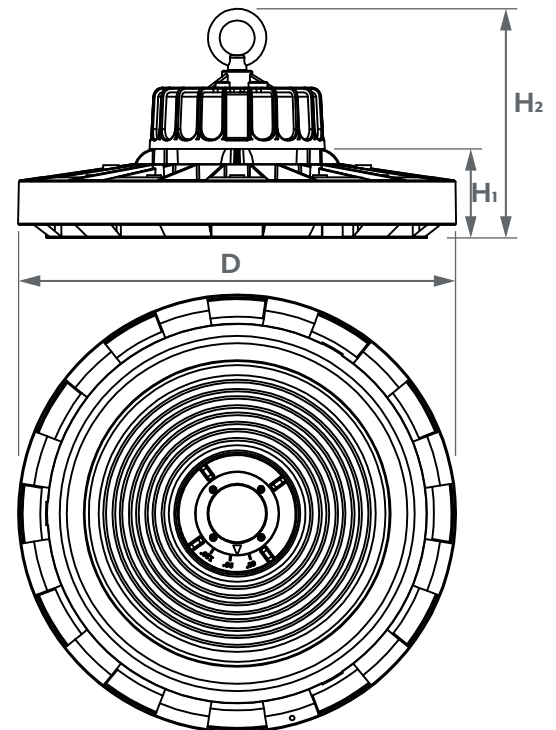
SPECIFICATIONS

MODEL	OPERATION VOLTAGE	OPERATING TEMPERATURE	RATED LIFESPAN	CCT	CRI	EFFICACY
USL-HBS4G	100-277V	-40°F – 113°F -40°C – 45°C	50,000 HOURS	3000K, 4000K, 5000K, 6000K	70+	150 lm/W

MODEL	POWER (W)	LUMENS (lm) ±10%	EFFICACY (lm/W)
USL-HBS4G-100W	100W	15,000	150
USL-HBS4G-120W	120W	18,000	150
USL-HBS4G-150W	150W	22,500	150
USL-HBS4G-200W	200W	30,000	150

DIMENSIONS

MODEL	D DIAMETER	H1 HEIGHT	H2 HEIGHT	WEIGHT (PC LENS ONLY)	WEIGHT (PC + GLASS)
100W				10.36 lb 4.7 kg	12.57 lb 5.7 kg
120W	14.76 in 375 mm	2.99 in 76 mm	7.72 in 196 mm		
150W				10.58 lb 4.8 kg	12.77 lb 5.8 kg
200W					



ACCESSORIES

ACCESSORIES

USL-CPIF-ACC

ACCESSORY

- MS** motion sensor
- RMT** remote control
- MNT** yoke mounting bracket
- WG** wire guard
- GLS-1** tempered glass^[3] ^[4]
- CVR-1** decorative cover^[3]
- EM** emergency power supply
- UP** upright adapter
- AL** aluminum reflector



MOTION SENSOR



REMOTE CONTROL



YOKE MOUNTING BRACKET



UPLIGHT ADAPTER



ALUMINUM REFLECTOR

[3] Note: Custom color available: MOQ 200 units for tempered glass and MOQ 1000 units for decorative ring.

[4] Note: tempered glass needs to be installed at the factory in order to fit with the motion sensor.



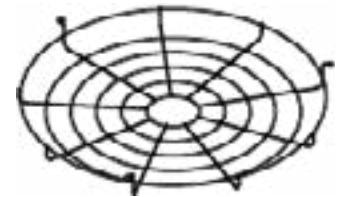
EMERGENCY POWER SUPPLY



DECORATIVE COVER^[3]



TEMPERED GLASS^[3]



WIRE GUARD

EMERGENCY POWER

- PF > 0.9
- Surge protection: L-N 3kV, L&N-PE 3kV
- protections against overvoltage, short circuit, open circuit, overload, overcharge, and over discharge
- Suitable for dry, damp, and wet locations
- Aluminum battery, 29.6V, 2000mA
- Output power 30W for 90 minutes (customizable)

