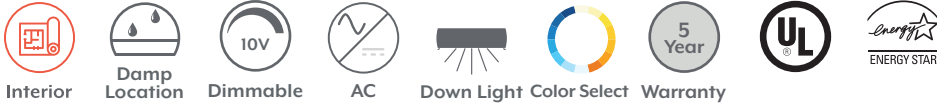


INTERIOR USL-CPIF Split Can Down Light



OVERVIEW

The unique split format of this commercial down light allows for numerous benefits. The light engine is separate from the sizing ring, allowing lower inventory and greater flexibility. Perfectly suited for commercial and public places like shopping malls, hospitals, hotel lobbies and so much more.



Insulation-contact rated

FEATURES

- Insulation-contact rated
- Split design separates the light engine from the sizing ring for lower inventory
- Matte diffuser conceals LEDs from direct view
- Color-tuning option available 3000K/4000K/5000K selected via a switch (Energy Star rating pending)
- Easy-fit installation with adjustable spring-action housing clips
- 65° beam angle with 4" ring
- 70° beam angle with 6" ring
- 75° beam angle with 8" ring

ORDERING INFORMATION

EXAMPLE PN: USL-CPIF-10W-LV-40K-10V & USL-CPIF-ACC-6

USL-CPIF	POWER	VOLTAGE	CCT	DIMMING
	10W 10 WATTS	LV 120-277V	30K 3000K	10V 0-10V
	15W 15 WATTS		35K 3500K	
	20W 20 WATTS		40K 4000K	
			50K 5000K	
			CT CCT SELECTABLE	

*Note: Color selectable is 3000K/4000K/5000K

ACCESSORIES

USL-CPIF-ACC	ACCESSORY
4	4 inch ring
6	6 inch ring
8	8 inch ring
HS-4	Installation housing for 4-inch fixture
HS-6	Installation housing for 6-inch fixture
HS-8	Installation housing for 8-inch fixture



OPTIONAL HOUSING FOR INSTALLATION

INTERIOR USL-CPIF Split Can Down Light



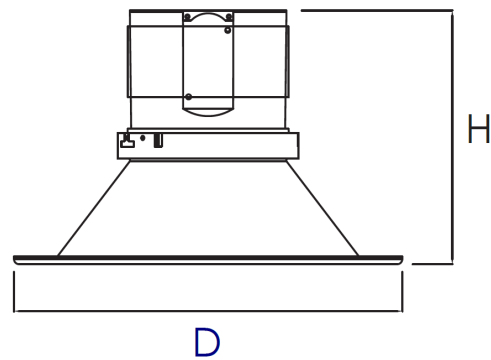
SPECIFICATIONS

MODEL	OPERATION VOLTAGE	OPERATING TEMPERATURE	RATED LIFESPAN	CCT	CRI	EFFICACY
USL-CPIF	100-277V	-40°F – 113°F -40°C – 45°C	50,000 HOURS	3000K, 3500K 4000K, 5000K	80+	75-83 lm/W

MODEL	POWER (W)	LUMENS (lm) ±10%				EFFICACY (lm/W)
		4" RING	6" RING	8" RING	COLOR TUNE (ALL SIZES)	
USL-CPIF-10W	10	780	820	830	750	75-83
USL-CPIF-15W	15	1,170	1,215	1,230	1,200	78-82
USL-CPIF-20W	20	1,520	1,580	1,600	1,600	76-80

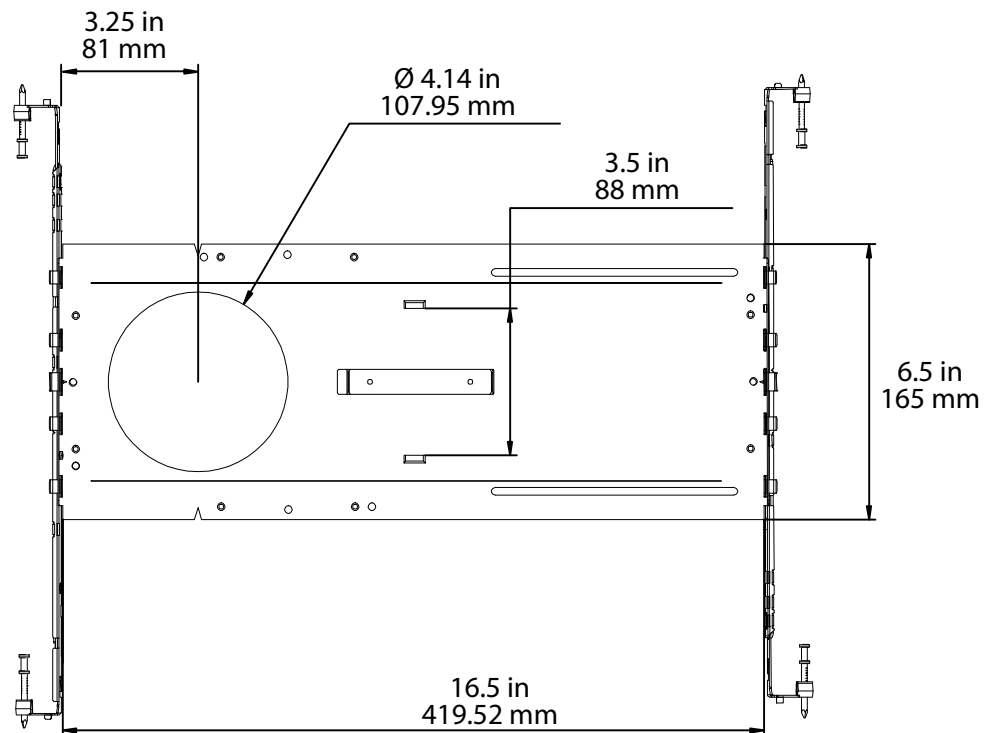
DIMENSIONS

MODEL	D DIAMETER	H HEIGHT
4" RING	5.51 in 140 mm	5.43 in 138 mm
6" RING	7.6 in 193 mm	5.45 in 138 mm
8" RING	7.6 in 193 mm	6.05 in 154 mm



OPTIONAL INSTALLATION HOUSING

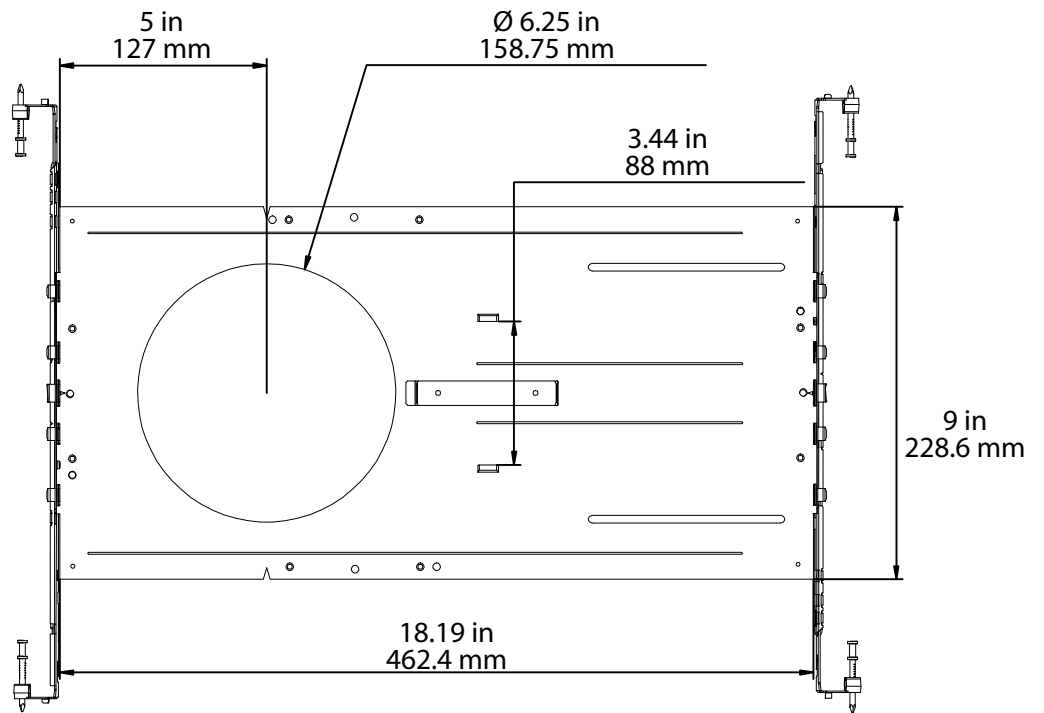
4" INSTALLATION HOUSING



INTERIOR USL-CPIF Split Can Down Light



6" INSTALLATION HOUSING



8" INSTALLATION HOUSING

