

SIGNAGE USL-LPCIM

Circular Luma Panel

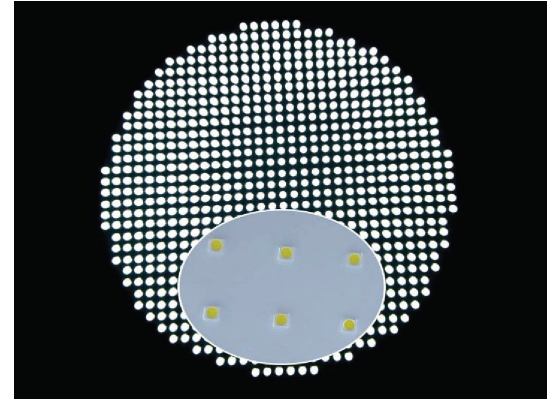


OVERVIEW

Available in a variety of standard and custom sizes, this aluminum panel contains an array of 5050 LEDs and has an integrated waterproof design. It is ideal for use in pendants and back lighting large areas uniformly.

FEATURES

- IP67
- 3-31 inches in diameter
- Custom sizing available
- Circular shape
- Uniform light
- Slim profile 0.12 in (3 mm) thick



ORDERING INFORMATION

EXAMPLE PN: USL-LPCIM-75CC-40K

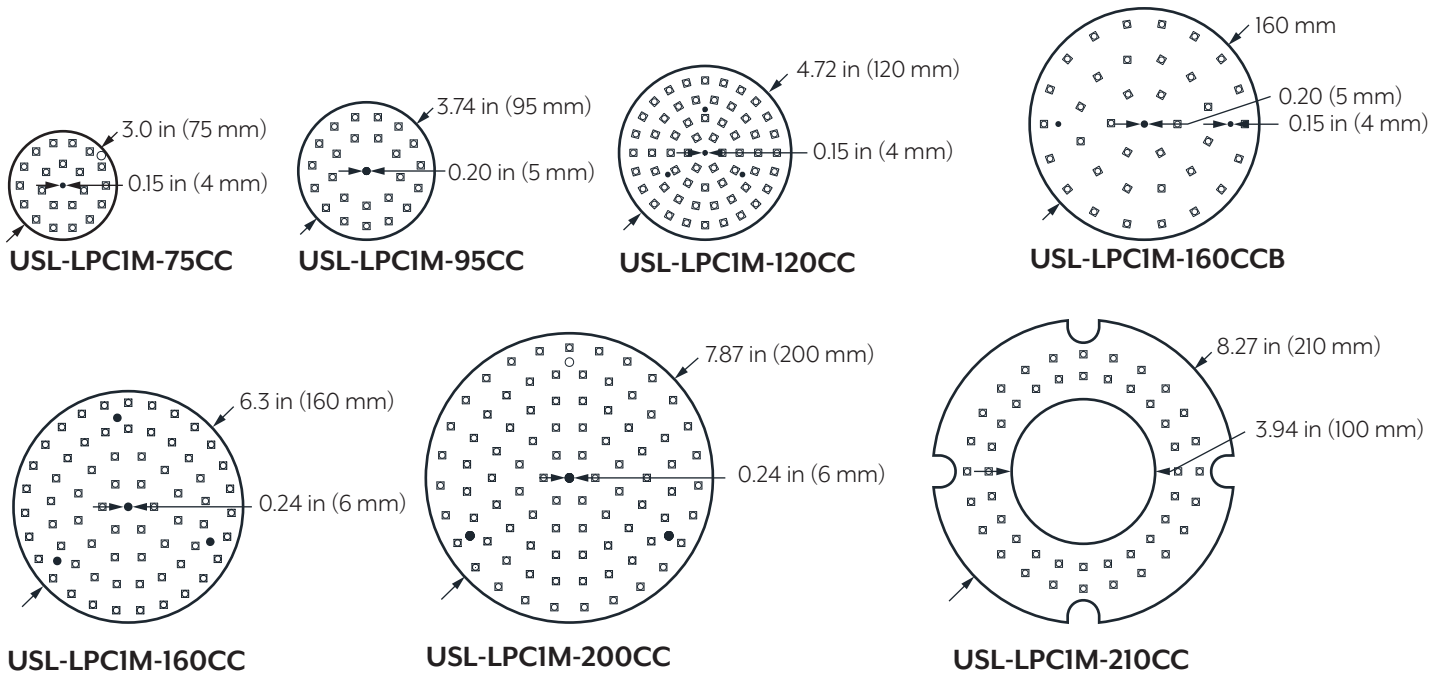
USL-LPCIM	PANEL DIAMETER AND LED DISTRIBUTION		CCT
75CC	75 mm (2.95 in)	Concentric circles	30K 2700K-3200K
95CC	95 mm (3.74 in)	Concentric circles	45K 4200K-4700K
120CC	120 mm (4.72 in)	Concentric circles	60K 6000K-6500K
160CC	160 mm (6.30 in)	Concentric circles	
160CCB	160 mm (6.30 in)	Concentric circles	
200CC	200 mm (7.87 in)	Concentric circles	
210CC	210 mm (8.27 in)	Concentric circles	
220SG-16	220 mm (8.66 in)	Square grid	
260SG-25	260 mm (10.24 in)	Square grid	
300SG-25	300 mm (11.81 in)	Square grid	
300SG-20	300 mm (11.81 in)	Square grid	
400SG-25	400 mm (15.75 in)	Square grid	
500SG-25	500 mm (19.69 in)	Square grid	
500SG-25S	500 mm (19.69 in)	Square grid	
600SG-25	600 mm (23.62 in)	Square grid	
800SG-33	800 mm (31.50 in)	Square grid	
800SG-25	800 mm (31.50 in)	Square grid	

SPECIFICATIONS

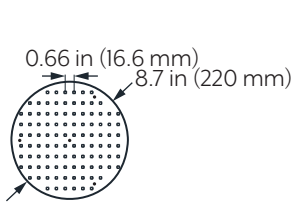
MODEL	OPERATION VOLTAGE	OPERATING TEMPERATURE	RATED LIFESPAN	CCT	CRI	EFFICACY
USL-LPCIM	12V DC	-22°F – 122°F -30°C – 50°C	40,000 HOURS	2700-3200, 4200-4700K, 6000-6500K	75+	100 lm/W

MODEL	POWER (W)	LUMENS (lm)	EFFICACY (lm/W)	DIAMETER	LED QTY
USL-LPCIM-75CC	5	500	100	2.95 in	21
USL-LPCIM-95CC	5.6	560	100	3.74 in	24
USL-LPCIM-120CC	12	1,200	100	4.72 in	60
USL-LPCIM-160CC	13.8	1,380	100	6.3 in	66
USL-LPCIM-160CCB	10	1,000	100	6.3 in	48
USL-LPCIM-200CC	18.2	1,820	100	7.87 in	87
USL-LPCIM-210CC	10	1,000	100	8.27 in	48
USL-LPCIM-220SG-16	21	2,100	100	8.66 in	102
USL-LPCIM-260SG-25	16.8	1,680	100	10.24 in	80
USL-LPCIM-300SG-25	23.5	2,350	100	11.81 in	112
USL-LPCIM-300SG-20	36	3,600	100	11.81 in	176
USL-LPCIM-400SG-25	40	4,000	100	15.75 in	192
USL-LPCIM-500SG-25	60	6,000	100	16.96 in	300
USL-LPCIM-500SG-25S	40	4,000	100	16.96 in	192
USL-LPCIM-600SG-25	90	9,000	100	23.62 in	440
USL-LPCIM-800SG-33	90	9,000	100	31.5 in	446
USL-LPCIM-800SG-25	130	13,000	100	31.5 in	788

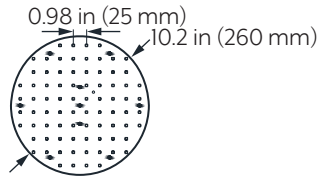
DIMENSIONS - CONCENTRIC CIRCLE MODELS



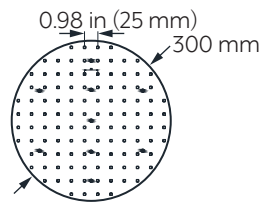
DIMENSIONS - SQUARE GRID MODELS



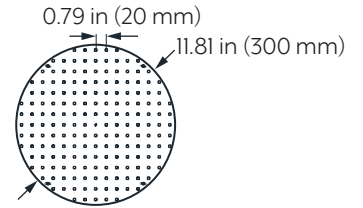
USL-LPCIM-220SG-16



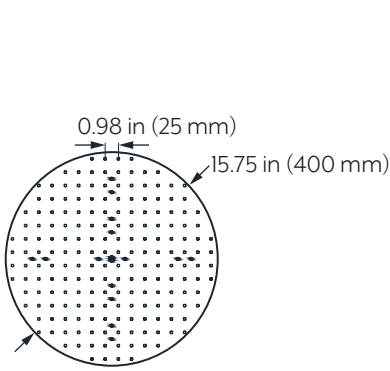
USL-LPCIM-260SG-25



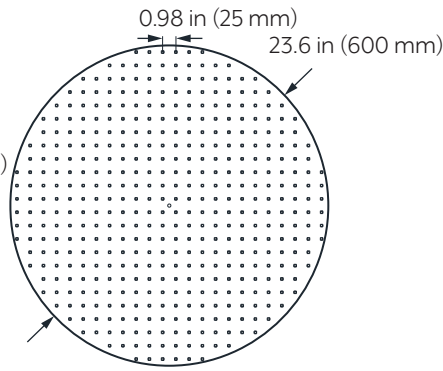
USL-LPCIM-300SG-25



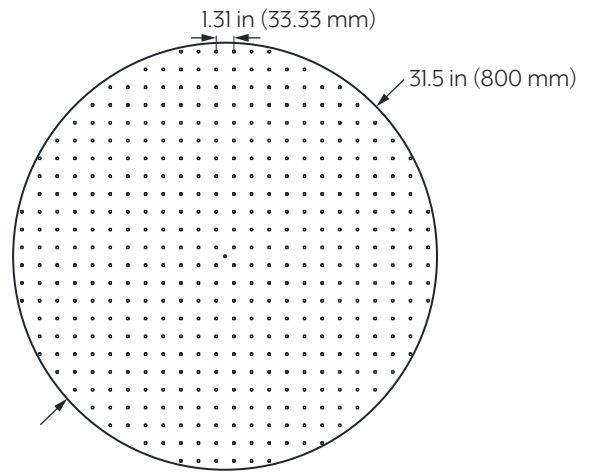
USL-LPCIM-300SG-20



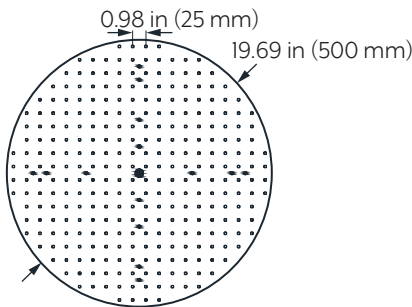
USL-LPCIM-400SG-25



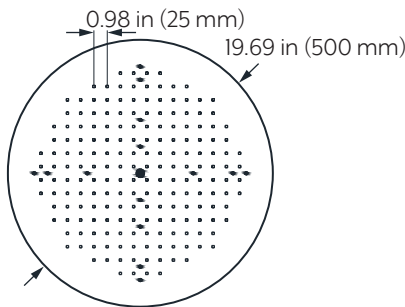
USL-LPCIM-600SG-25



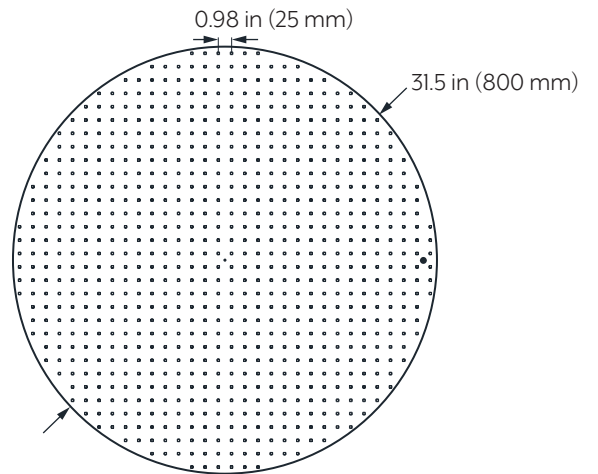
USL-LPCIM-800SG-33



USL-LPCIM-500SG-25



USL-LPCIM-500SG-25S



USL-LPCIM-800SG-25