

PROJECT		TYPE		DATE	
---------	--	------	--	------	--



## OVERVIEW

This linear fixture has a quick-open feature to allow easy access to the driver. Multiple fixtures can be connected together. It is available with side reflectors. Select models have a switch to determine CCT (3500K/4000K/5000K).

## FEATURES

- CCT-selectable models available
- Optional reflector lens
- Easy access to driver
- Cold-rolled steel housing
- Frosted polycarbonate lens
- Wiring knockouts



## ORDERING INFORMATION

EXAMPLE PN: USL-SLD4C-4-30W-LV-40K-W-MS

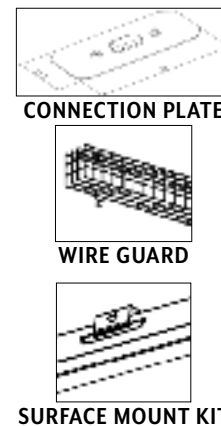
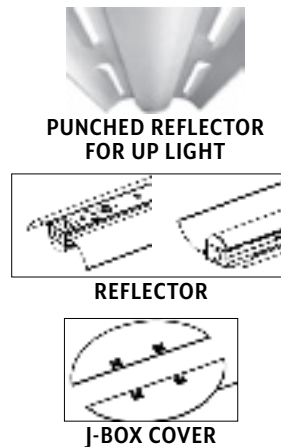
USL-SLD4C	SIZE / POWER	VOLTAGE	CCT <sup>[1]</sup>	FINISH	OPTIONS <sup>[2]</sup>
	<b>2-20W</b> 2 FT, 20W	<b>LV</b> 120-277V	<b>30K</b> 3000K	<b>W</b> WHITE	<b>10V</b> 0-10V DIMMING
	<b>4-30W</b> 4 FT, 30W	<b>34V</b> 347V	<b>35K</b> 3500K		<b>MS</b> MOTION SENSOR (BI-LEVEL DIM)
	<b>8-60W</b> 8 FT, 60W	<b>48V</b> 480V	<b>40K</b> 4000K		<b>EM</b> EMERGENCY BATTERY (90 MIN)
			<b>50K</b> 5000K		<b>EMS</b> SENSOR + EMERGENCY
			<b>CS</b> CCT SELECTABLE		

[1] Note: CCT selectable is 35K/40K/50K

[2] Note: All options are 0-10V dimming. Motion sensor has optional daylight harvesting.

## ACCESSORIES

USL-SLD4C-ACC	ACCESSORY
<b>RFL-2</b>	2-foot reflector
<b>RFL-4</b>	4-foot reflector
<b>RFL-P-2</b>	2-foot punched reflector
<b>RFL-P-4</b>	4-foot punched reflector
<b>JBOX</b>	Junction box cover
<b>CNT</b>	Connection plate
<b>WG-2</b>	2-foot wire guard
<b>WG-4</b>	4-foot wire guard
<b>SM-KIT</b>	Surface mounting kit
<b>SP-KIT</b>	Suspension mounting kit



Note: reflector for 8-foot fixture is 2 4-foot pieces

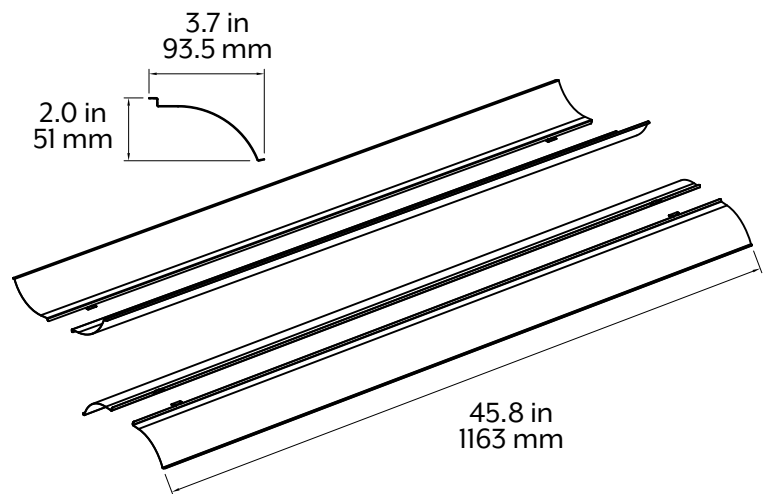
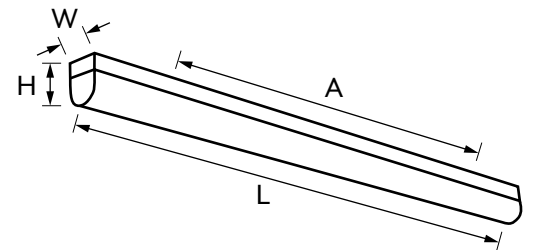
**SPECIFICATIONS**

MODEL	OPERATION VOLTAGE	OPERATING TEMPERATURE	RATED LIFESPAN	CCT	CRI	EFFICACY
USL-SLD4C	120-277V 347-480V	-22°F – 104°F -30°C – 40°C	50,000 HOURS	3000K, 3500K, 4000K, 5000K	80+	130-145 lm/W (single) 125-130 lm/W (selectable)

MODEL	LENGTH (ft)	POWER (W)	CCT	LUMENS (lm) ±10%			EFFICACY (lm/W)
				3000K	4000K	5000K	
USL-SLD4C-2-20W-xxK	2	20	SINGLE	2,700	2,900	2,900	135-145
USL-SLD4C-2-20W-CS			SELECTABLE	2,500	2,600	2,600	125-130
USL-SLD4C-4-30W-xxK	4	30	SINGLE	4,050	4,350	4,350	135-145
USL-SLD4C-4-30W-CS			SELECTABLE	3,750	3,900	3,900	125-130
USL-SLD4C-8-60W-xxK	8	60	SINGLE	7,800	8,700	8,700	130-145
USL-SLD4C-8-60W-CS			SELECTABLE	7,500	7,800	7,800	125-130

**DIMENSIONS**

MODEL	L LENGTH	MOUNTING DISTANCE (A)	W WIDTH	H HEIGHT
<b>USL-SLD4C- 2-20W</b>	23.4 in 595 mm	13.4 in 340 mm	2.4 in 60 mm	3.4 in 85 mm
<b>USL-SLD4C- 4-30W</b>	45.9 in 1165 mm	35.8 in 910 mm		
<b>USL-SLD4C-8-60W</b>	91.6 in 2326 mm	81.6 in 2073 mm		



SETTINGS FOR MICROWAVE SENSOR DIP SWITCHES



DETECTION AREA

Detection area can be reduced by selecting the combination on the DIP switches.

	1	2	
<b>I</b>	<b>ON</b>	<b>ON</b>	100%
<b>II</b>	<b>ON</b>	—	75%
<b>III</b>	—	<b>ON</b>	50%
<b>IV</b>	—	—	10%

HOLD TIME

Refers to the time period that the lamp remains at 1000% illumination after no motion is detected.

	3	4	5	
<b>I</b>	<b>ON</b>	<b>ON</b>	<b>ON</b>	5 seconds
<b>II</b>	—	<b>ON</b>	<b>ON</b>	30 seconds
<b>III</b>	<b>ON</b>	—	<b>ON</b>	90 seconds
<b>IV</b>	—	—	<b>ON</b>	3 minutes
<b>V</b>	<b>ON</b>	<b>ON</b>	—	20 minutes
<b>VI</b>	—	—	—	Infinite

STAND-BY PERIOD

Refers to the period of time that the lamp remains at low level before it completely switches off during long periods of inactivity.

	6	7	8	
<b>I</b>	<b>ON</b>	<b>ON</b>	<b>ON</b>	0 seconds
<b>II</b>	—	<b>ON</b>	<b>ON</b>	5 seconds
<b>III</b>	<b>ON</b>	—	<b>ON</b>	5 minutes
<b>IV</b>	—	—	<b>ON</b>	10 minutes
<b>V</b>	<b>ON</b>	<b>ON</b>	—	30 minutes
<b>VI</b>	—	<b>ON</b>	—	1 hour
<b>VII</b>	—	—	—	Infinite

When set to infinite, the low level light is maintained until motion is detected.

DAYLIGHT SENSOR

The sensor can be set such that the light only illuminates when ambient light is below the threshold.

	1	2	3	4	
<b>I</b>	—	—	<b>ON</b>	<b>ON</b>	2 lux
<b>II</b>	—	—	—	<b>ON</b>	5 lux
<b>III</b>	—	<b>ON</b>	<b>ON</b>	—	10 lux
<b>IV</b>	—	—	<b>ON</b>	—	25 lux
<b>V</b>	—	<b>ON</b>	—	—	50 lux
<b>VI</b>	<b>ON</b>	—	—	—	100 lux
<b>VII</b>	—	—	—	—	Disable

When set to disable, the light will turn on at full brightness when motion is detected, regardless of ambient light level.

Note: the daylight sensor is active only when the light is completely turned off.

STAND-BY DIMMING LEVEL

The level of low light during the stand-by period when no motion is detected.

	5	6	
<b>I</b>	<b>ON</b>	<b>ON</b>	50%
<b>II</b>	—	<b>ON</b>	30%
<b>III</b>	<b>ON</b>	—	20%
<b>IV</b>	—	—	10%