

ARCHITECTURAL USL-SLS1F

CCT/Power Selectable Slim Streamline Fixture



PROJECT		TYPE		DATE	
---------	--	------	--	------	--

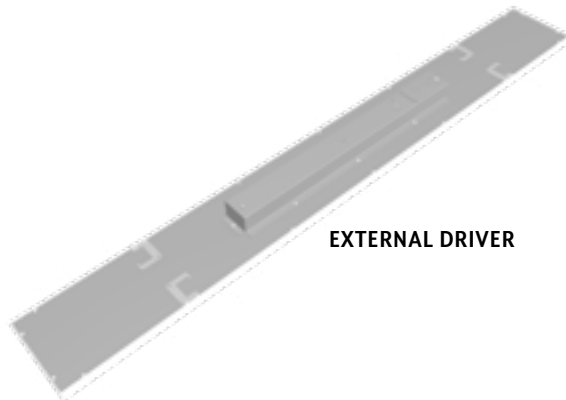
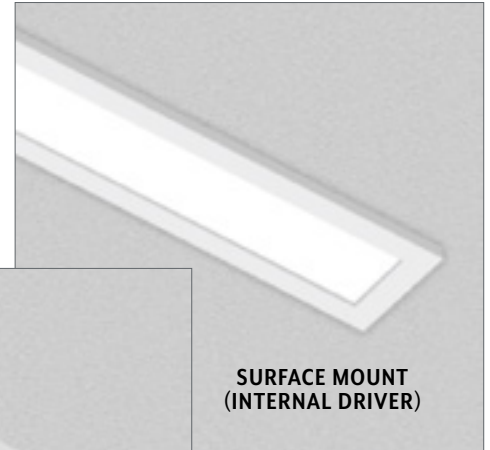
-  Architectural
-  Interior
-  Damp Location
-  Dimmable
-  AC
-  Down Light
-  Color Select
-  5 Year Warranty

OVERVIEW

This slim streamline fixture has switches to select between 3 CCT options and 3 power options: 1 part number creates 9 configurations. All models can be recessed mounted. The internal driver model is less than one inch thick and be surface mounted.

FEATURES

- Internal driver: surface mount & recessed mount
- External driver: recessed mount
- CCT and power selectable
- PF > 0.9



ORDERING INFORMATION

EXAMPLE PN: USL-SLS1F-44-ADJ-CS-EXT

USL-SLS1F	SIZE / POWER ^[1]	CCT	DRIVER ^{[1] [2]}
44-ADJ	4IN X 4FT, 20W/30W/40W	CS COLOR-SELECTABLE	INT INTERNAL DRIVER/SURFACE MOUNT
48-ADJ	4IN X 8FT, 46W/60W/80W	3000K/3500K/4000K	EXT EXTERNAL DRIVER/RECESSED MOUNT
64-ADJ	6IN X 4FT, 20W/30W/40W	30K 3000K	
68-ADJ	6IN X 8FT, 46W/60W/80W	35K 3500K	
		40K 4000K	
		50K 5000K	

[1] Surface mount/internal driver not available with 8-foot models.

[2] The external driver version has 22W instead of 20W

ARCHITECTURAL USL-SLS1F

CCT/Power Selectable Slim Streamline Fixture



SPECIFICATIONS

MODEL	OPERATION VOLTAGE	RATED LIFESPAN	CCT	CRI	EFFICACY
USL-SLS1F	120-277	50,000 HOURS	SELECTABLE 30K/35K/40K	80+	70-100 lm/W

MODEL	INTERNAL DRIVER (SURFACE MOUNT)				EXTERNAL DRIVER (RECESSED MOUNT)				EFFICACY (lm/W)
	POWER (W)	LUMENS (lm) ±10%			POWER (W)	LUMENS (lm) ±10%			
		3000K	3500K	4000K		3000K	3500K	4000K	
USL-SLS1F-44-ADJ	20	1,400	1,600	1,600	22	1,650	1,870	1,870	70-85
	30	2,100	2,400	2,400	30	2,250	2,550	2,550	70-85
	40	2,800	3,200	3,200	40	3,000	3,400	3,400	70-85
USL-SLS1F-48-ADJ	NA	NA	NA	NA	46	3,450	3,910	3,910	70-85
	NA	NA	NA	NA	60	4,500	5,100	5,100	70-85
	NA	NA	NA	NA	80	6,000	6,800	6,800	70-85
USL-SLS1F-64-ADJ	20	1,700	1,900	1,900	22	1,980	2,200	2,200	85-100
	30	2,550	2,850	2,850	30	2,700	3,000	3,000	85-100
	40	3,400	3,800	3,800	40	3,600	4,000	4,000	85-100
USL-SLS1F-68-ADJ	NA	NA	NA	NA	46	4,140	4,600	4,600	85-100
	NA	NA	NA	NA	60	5,400	6,000	6,000	85-100
	NA	NA	NA	NA	80	7,200	8,000	8,000	85-100

DIMENSIONS

MODEL	INTERNAL DRIVER (SURFACE + RECESSED)				EXTERNAL DRIVER (RECESSED)			
	L LENGTH	W WIDTH	A LIGHT WIDTH	T ₁ PANEL THICKNESS	W WIDTH	A LIGHT WIDTH	T ₂ TOTAL THICKNESS	T ₃ PANEL THICKNESS
USL-SLS1F-44	47.76 in	4.25 in	2.56 in	0.94 in	3.74 in	2.4 in	2.17 in	0.79 in
USL-SLS1F-48	NA							
USL-SLS1F-64	47.76 in	5.75 in	4.53 in					
USL-SLS1F-68	NA							

