

INTERIOR USL-HB31D Round Compact High Bay



PROJECT		TYPE		DATE	
---------	--	------	--	------	--



OVERVIEW

This round high bay replaces traditional HID high bay fixtures. The optional microwave sensor is integrated in the fixture to eliminate wiring, reducing installation time. Optional junction-box model available to allow for

FEATURES

- IP65, IK08
- Optional integrated sensor for motion and daylight harvesting
- 120° standard, 60° and 90° available with lens
- PF > 0.9
- Junction box models for use with MC cable



CABLE MODEL

JUNCTION BOX MODEL

ORDERING INFORMATION

EXAMPLE PN: USL-HB31D-150W-LV-40K-10V

USL-HB31D	POWER	VOLTAGE	CCT	OPTIONS	CONNECTION*
	100W 100 WATTS	LV 100-277V	30K 3000K	10V 0-10V DIMMING	C1 1.3 FT (0.4 m) CABLE
	150W 150 WATTS	HV 200-480V	35K 3500K	MS MICROWAVE SENSOR	C6 6 FT (1.8 m) CABLE
	200W 200 WATTS		40K 4000K		JB JUNCTION BOX
	240W 240 WATTS		50K 5000K		

*Note: 1.3 ft cable is standard

ACCESSORIES

Located on page 3

INTERIOR USL-HB31D

Round Compact High Bay



SPECIFICATIONS

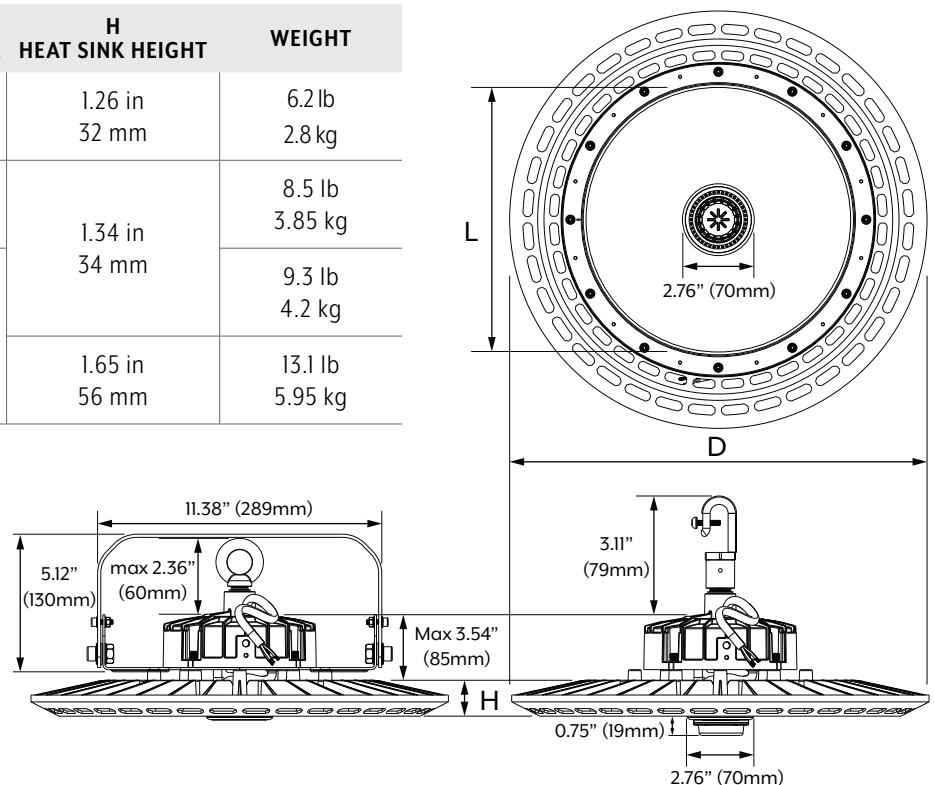
MODEL	OPERATION VOLTAGE	OPERATING TEMPERATURE*	RATED LIFESPAN	CCT	CRI	EFFICACY
USL-HB31D	100-480V	-31°F – 113°F -35°C – 45°C	50,000 HOURS	3000K, 3500K, 4000K, 5000K	80+	123-136 lm/W

*Note: Optional thermal protector allows for operation up to 60°C (140°F). See "accessories" section.

MODEL	POWER (W)	LUMENS (lm) ±10%				EFFICACY (lm/W)
		3000K	3500K	4000K	5000K	
USL-HB31D-100W	100	12,300	12,530	13,270	13,400	123-134
USL-HB31D-150W	150	18,480	18,840	19,830	20,190	123-135
USL-HB31D-200W	200	24,810	25,300	26,840	27,260	124-136
USL-HB31D-240W	240	29,850	30,400	32,170	32,340	124-135

DIMENSIONS

MODEL	D FIXTURE DIAMETER	L LIGHT DIAMETER	H HEAT SINK HEIGHT	WEIGHT
100W	12.6 in 320 mm	7.48 in 190 mm	1.26 in 32 mm	6.2 lb 2.8 kg
150W	14.17 in 360 mm	8.66 in 220 mm	1.34 in 34 mm	8.5 lb 3.85 kg
200W	15.55 in 395 mm	10.0 in 254 mm		9.3 lb 4.2 kg
240W			1.65 in 56 mm	13.1 lb 5.95 kg



INTERIOR USL-HB31D

Round Compact High Bay



ACCESSORIES

USL-HB31D-ACC	ACCESSORY
UBKT	U bracket
HOK-100/150/200W	Suspension hook (100W/150W/200W)
HOK-240W	Suspension hook (240W)
RP	Safety rope
CH	Suspension chain
L60-100W	60° lens (100W)
L90-100W	90° lens (100W)
L60-150W	60° lens (150W)
L90-150W	90° lens (150W)
L60-200/240W	60° lens (200W/240W)
L90-200/240W	90° lens (200W/240W)
AL-100W	Aluminum lampshade, 70° (100W)
AL-150W	Aluminum lampshade, 70° (150W)
AL-200/240W	Aluminum lampshade, 70° (200W/240W)
PC-100W	Polycarbonate lampshade, 90° (100W)
PC-150W	Polycarbonate lampshade, 90° (150W)
PC-200/240W	Polycarbonate lampshade, 90° (200W/240W)
ADP-M20	M20 adapter for NPT mounting
RMT	Remote
MS	Microwave sensor
THRM	Thermal protector*



U bracket



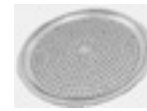
Suspension hook



Safety rope



Suspension chain



60°/90° Lens



Aluminum lampshade



PC lampshade



M20 adapter



Microwave sensor

*Note: Thermal protector allows for operation up to 60°C (140°F). Power and lumens are lower than standard fixture.