

INTERIOR USL-CCIF

Classic Commercial Can



PROJECT	TYPE	DATE
---------	------	------



OVERVIEW

These commercial cans replace incandescent, CFL, or HID fixtures with a wide range of aperture sizes. The simple installation allows the fixture to be installed from below the ceiling without removing the existing fixture. Optional phase dimming allows for fixtures to be upgraded to LED without changing the existing dimming scheme.

FEATURES

- PF>0.9
- THD<20%
- 4-inch to 10-inch models
- Easy installation from below ceiling
- 0-10V dimming standard, phase dimming optional
- Integrated heat sink



ORDERING INFORMATION

EXAMPLE PN: USL-CCIF-6-18W-LV-40K-10V

USL-CCIF	SIZE ^{[1] [2]}	POWER ^[1]	VOLTAGE	CCT	DIMMING ^[2]
	4 4" RING	14W 14 WATTS	LV 100-277V	30K 3000K	10V 0-10V DIMMING
	6 6" RING	18W 18 WATTS		35K 3500K	TRI TRIAC DIMMING
	8 8" RING	27W 27 WATTS		40K 4000K	0 NONE (ONLY 4-14W)
	10 10" RING	40W 40 WATTS			
		54W 54 WATTS			

[1] Not all size/power combinations are possible. 4-inch available in 14/27W, 6-inch available in 18/27/40W, 8-inch available in 18/27/40/54W, 10-inch available in 27/40/54W

[2] 4-inch 14W is not EnergyStar listed or dimmable. All other models are 0-10V dimming standard.

ACCESSORIES

USL-CCIF-ACC	ACCESSORY
HS-4	4" installation housing
HS-6	6" installation housing
HS-8	8" installation housing
HS-10	10" installation housing



INTERIOR USL-CCIF

Classic Commercial Can



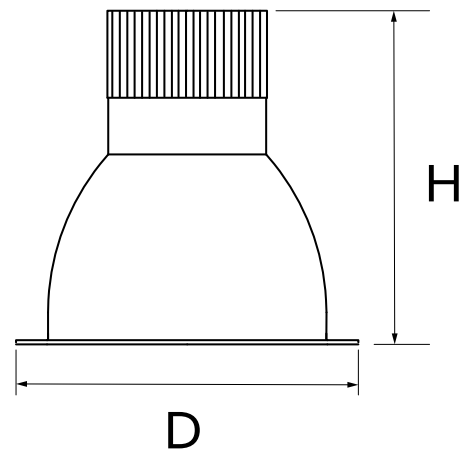
SPECIFICATIONS

MODEL	OPERATION VOLTAGE	OPERATING TEMPERATURE	RATED LIFESPAN	CCT	CRI	EFFICACY
USL-CCIF	100-277V AC	-40°F – 113°F -40°C – 45°C	50,000 HOURS	3000K, 4000K, 5000K	80+	70-87 lm/W

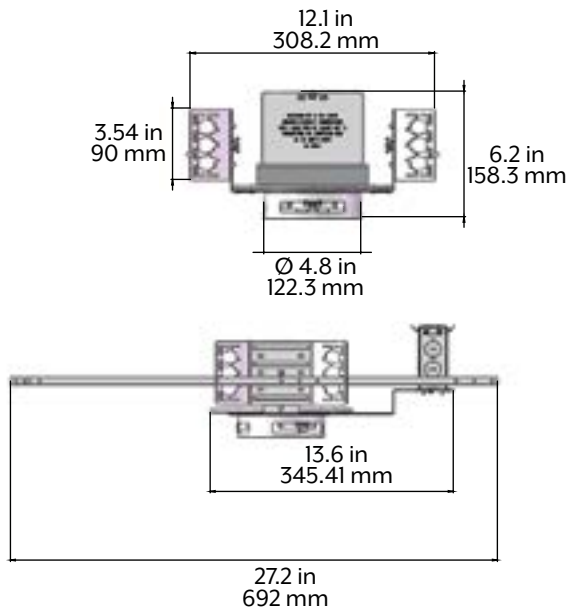
MODEL	SIZE (in)	POWER (W)	DIMMABLE	LUMENS AT 3000K (lm)	EFFICACY (lm/W)
USL-CCIF-4-14W-LV-xxK-0	4	14	N	980	70
USL-CCIF-4-27W-LV-xxK-10V	4	27	✓	1,880	70
USL-CCIF-6-18W-LV-xxK-10V	6	18	✓	1,530	85
USL-CCIF-6-27W-LV-xxK-10V	6	27	✓	2,268	84
USL-CCIF-6-40W-LV-xxK-10V	6	40	✓	3,200	80
USL-CCIF-8-18W-LV-xxK-10V	8	18	✓	1,566	87
USL-CCIF-8-27W-LV-xxK-10V	8	27	✓	2,322	86
USL-CCIF-8-40W-LV-xxK-10V	8	40	✓	3,280	82
USL-CCIF-8-54W-LV-xxK-10V	8	54	✓	4,158	77
USL-CCIF-10-27W-LV-xxK-10V	10	27	✓	2,349	87
USL-CCIF-10-40W-LV-xxK-10V	10	40	✓	3,360	84
USL-CCIF-10-54W-LV-xxK-10V	10	54	✓	4,266	79

DIMENSIONS

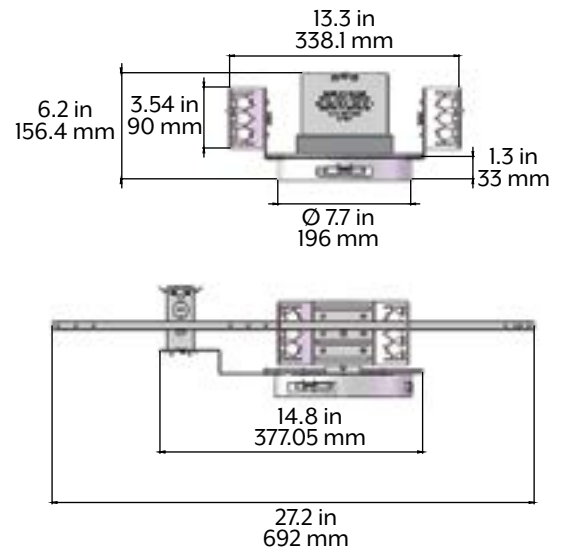
MODEL	D DIAMETER	H HEIGHT	FITS APERTURES	WEIGHT
USL-CCIF-4-14W	5.59 in 142 mm	7.17 in 182 mm	4.1-4.7 in 104-119mm	7.3 lb 3.3 kg
USL-CCIF-4-27W				
USL-CCIF-6-18W	7.48 in 190 mm	7.87 in 200 mm	6.1-6.7 in 155-170 mm	9.3 lb 4.2 kg
USL-CCIF-6-27W				
USL-CCIF-6-40W		8.64 in 220 mm		
USL-CCIF-8-18W	9.29 in 236 mm	8.98 in 228 mm	7.72-8.26 in 196-210 mm	11 lb 5 kg
USL-CCIF-8-27W				
USL-CCIF-8-40W				
USL-CCIF-8-54W				
USL-CCIF-10-27W	10.98 in 279 mm	8.46 in 215 mm	10.1-10.7 in 257-272 mm	12 lb 5.4 kg
USL-CCIF-10-40W				
USL-CCIF-10-54W		9.22 in 234 mm		



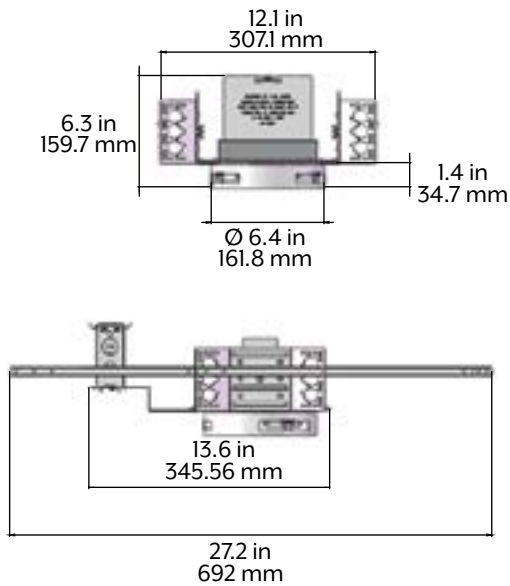
4" INSTALLATION HOUSING



8" INSTALLATION HOUSING



6" INSTALLATION HOUSING



10" INSTALLATION HOUSING

